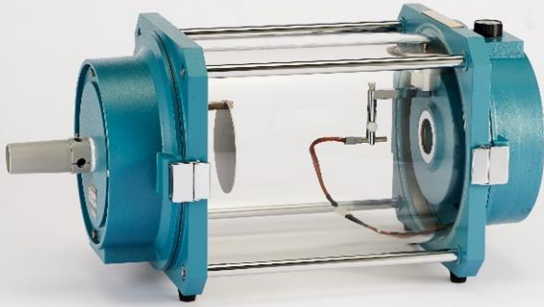




# Probe Calibrator

## Model 1065

Compact Calibrator for Hot-Wire Anemometer Probes.  
Enabled Easy Calibration from Very Low up to High Velocity.



Compact Calibrator Main Unit

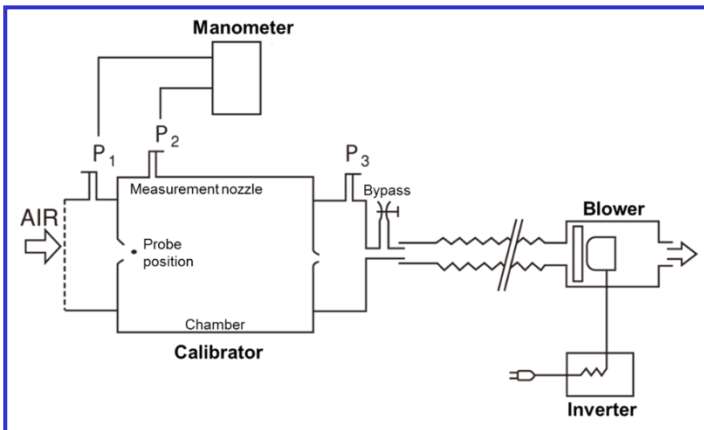
### Features:

- Suction type compact calibration device
- Nozzle combination allows calibrations from very low velocity up to high velocity
- High transparent acrylic chamber for working section
- Optional items also offered to system integration



Hot-Wire Probe

### ■ Calibration System Integration Example



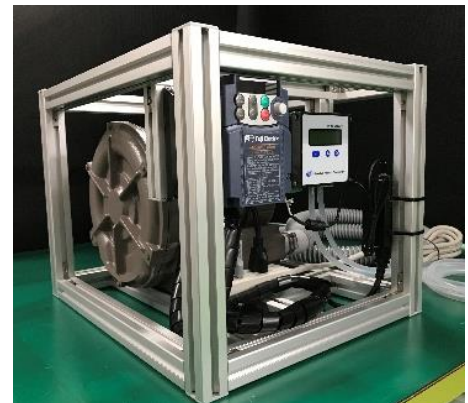
### <Standard Items>

- calibrator main unit
- nozzle: three sizes (φ3.5mm, 7mm, 14mm)
- dust protection cover for main unit
- L-type wrench (for M5), pin face wrench

### <Optional Items>

- blower
- manometer
- inverter

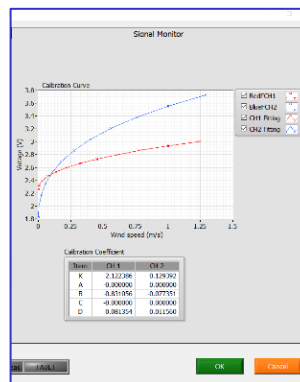
### Optional Item Set



### ■ Nozzle Diameter and Velocity Range for Calibration

Nozzle Diameter (mm)	Lowest Velocity of Flow (m/s)	Highest Velocity of Flow (m/s)
3.5	20	150
7	10	100
14	1	10

<Turbulence Intensity>  
5~150m/s : < 0.5%RMS  
0.5~5m/s : < 2.0%RMS



Smart CTA Software, (part of Calibration Display shown on the left) assists the procedure of probe calibration and measurement.

## Kanomax JAPAN, INC.

### Fluid Research Measurement Solutions Division

2-1 Shimizu, Suita City, Osaka 565-0805 JAPAN

TEL: +81-6-6877-8679 E-mail: fluids@kanomax.co.jp

<http://www.kanomax.co.jp>

Information, data and specifications in this brochure are subject to change without notice.